


PRODUCT SHEET

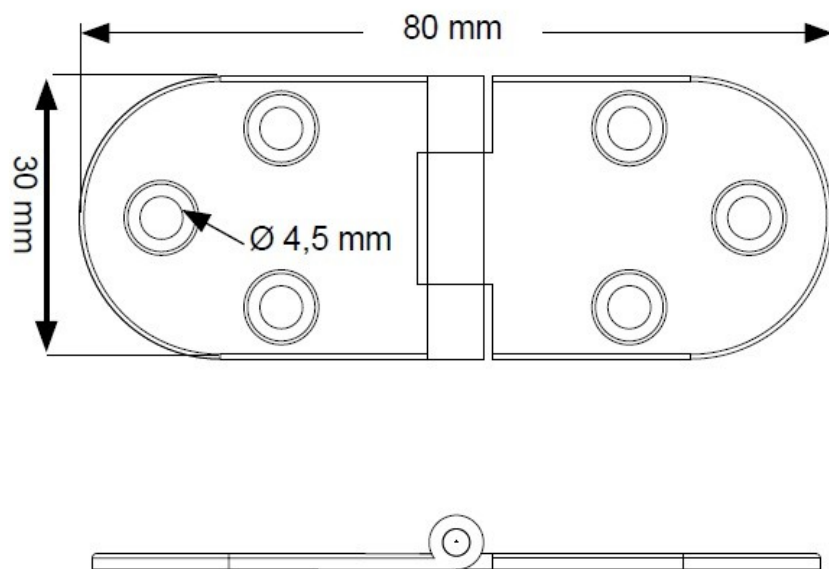
Description:

Flap Hinge, Brass, 30x80x2mm, Polished, W/CSK \varnothing 4,5mm Holes

Item number:

15.11.220-2

Units	Box	Carton	HS Code	Barcode
Pcs.	40	400	8302100090	 5704866057035



SISO A/S

Mileparken 11
DK-2740 Skovlunde
Denmark
VAT: DK 24786013

Phone +45 45 830 900

www.siso.dk
siso@siso.dk

Danske Bank
Nytorv Branch
Copenhagen
SWIFT: DABADKKK

Account no.
4180 3112 112936
IBAN Account
DK7230003112112936